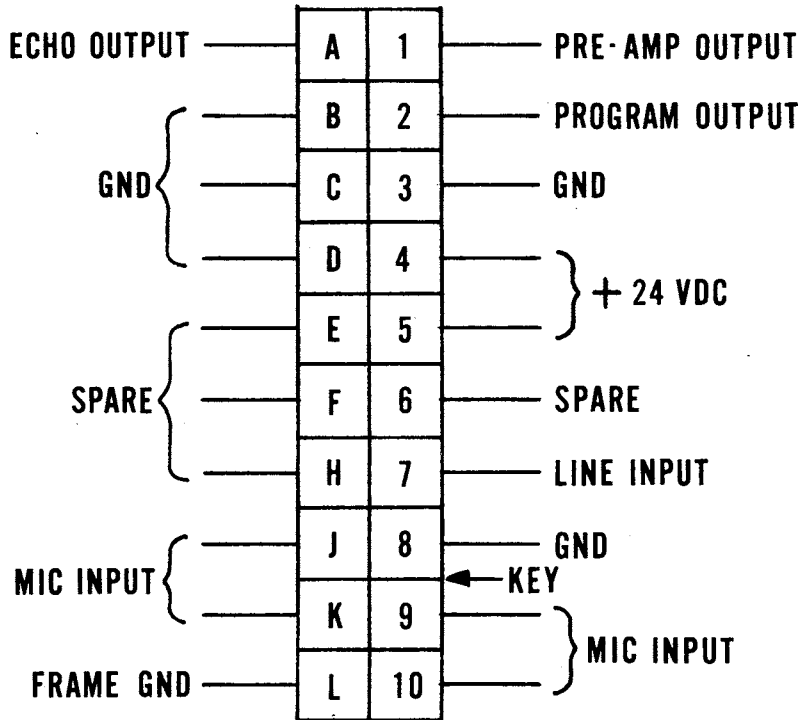


EQUALIZER-AMPLIFIER INPUT MODULES

709	709L	609	609L
509	509L	409	409L
309	309L	209	209L



NOTES UNLESS OTHERWISE SPECIFIED:

1. EXTERNAL JUMPER REQD BETWEEN C&3 AND BETWEEN 4&5.
2. ALL EVEN NO. MODULES ONLY HAVE LINE INPUTS.
3. ALL ODD NO. MODULES HAVE MIC & LINE INPUTS.

	Z	STRAP	CONN HI	TO LO
MIC	200 ohm	K-9	J & 10	
INPUT	50 ohm	K-10&9-J	J & 10	



ELECTRODYNE CORPORATION

7315 Greenbush Avenue ■ North Hollywood ■ Calif. 91605
 Phone: (213) 875-1900 ■ Cable Address: "ELECTRODYNE"

Restoration and Preservation of Classic Audio Equipment

www.orphanaudio.com