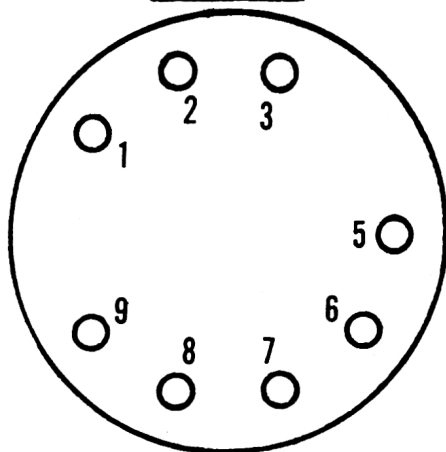


# A-1000 INTEGRATED CIRCUIT AMPLIFIER MODULE

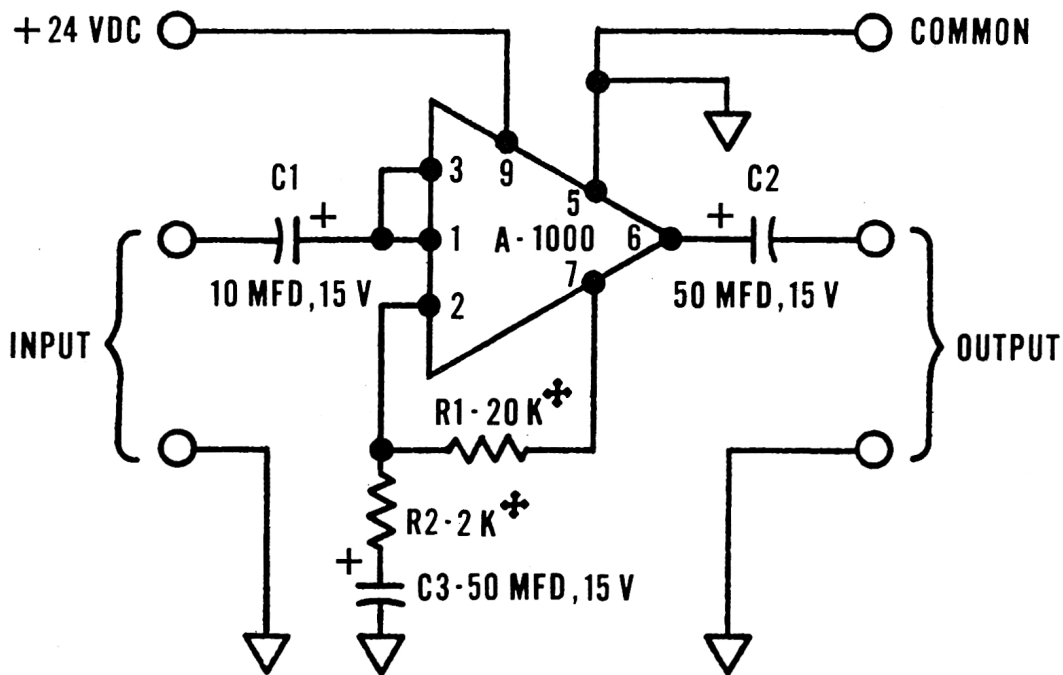
PIN SIDE



SCHEMATIC

NOTES UNLESS OTHERWISE SPECIFIED:

\* SHOWN FOR 20 DB GAIN



**ELECTRODYNE CORPORATION**  
7315 Greenbush Avenue ■ North Hollywood ■ Calif. 91605  
Phone: (213) 875-1900 ■ Cable Address: "ELECTRODYNE"